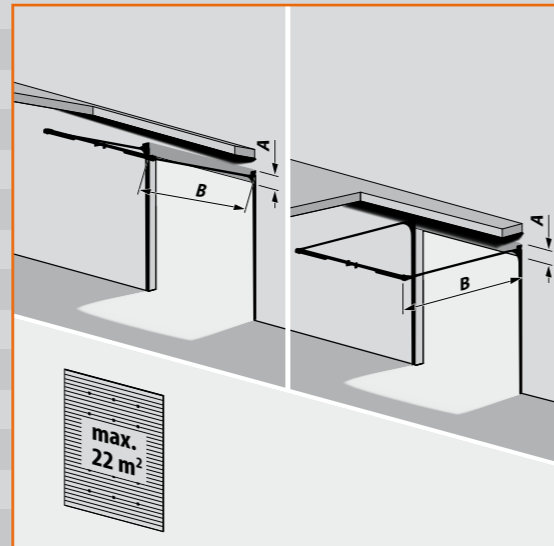
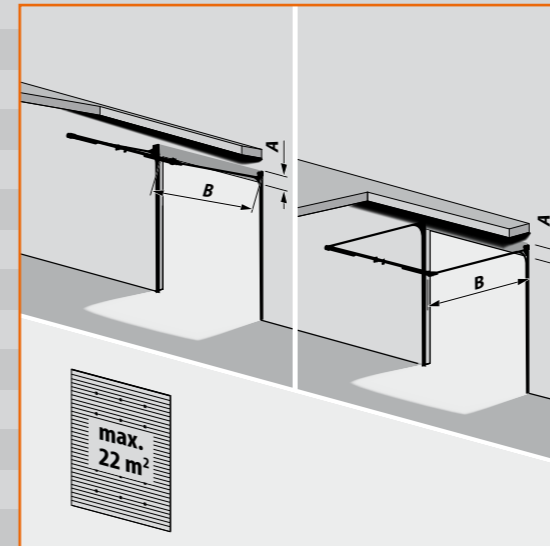


Overview of rail systems

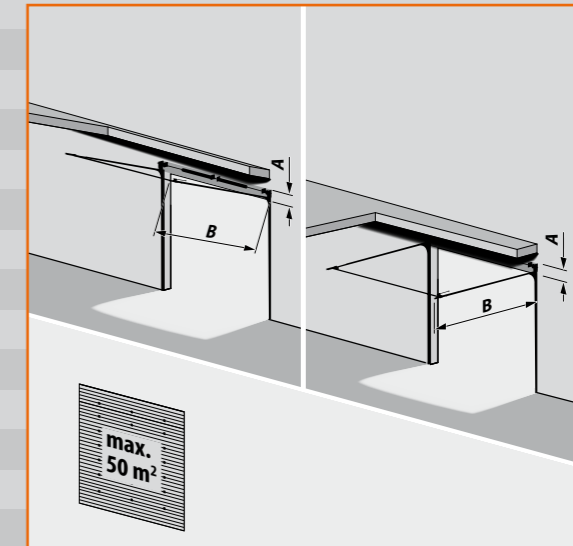
Of course the space available for the door and structural issues remain deciding factors when it comes to installing a door, which is why Alpha offers different rail systems that can be customised to suit any scenario.



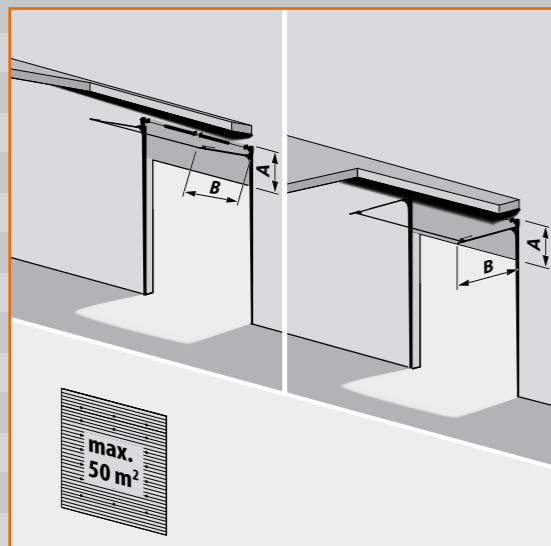
T 240
low built-in rail system, incorporated cables
+ steel support profile
 A= 240 mm, B= open height + 1,000 mm



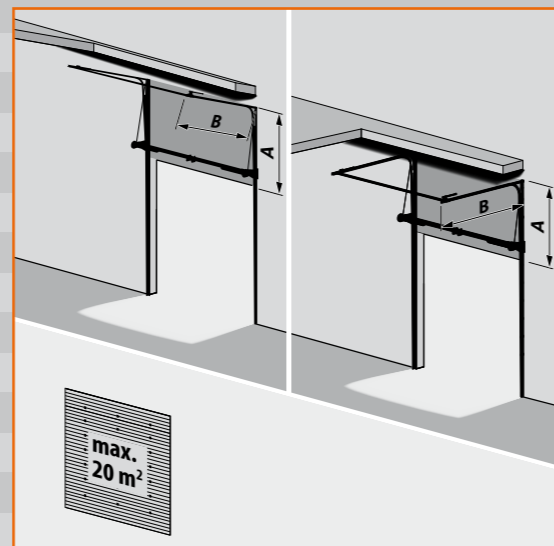
T 340
standard rail system, rear suspension
package + steel support profile
 A= 340 mm, B= open width + 750 mm



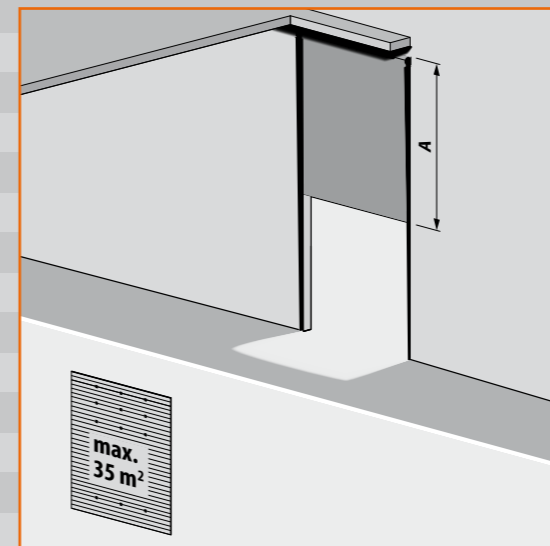
T 450
standard rail system (comes standard)
 A= -700 mm, B= open height + 650 mm



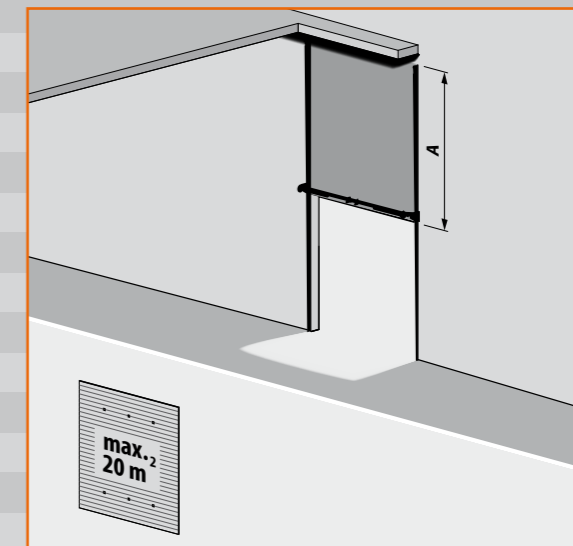
T 400
elevated rail system
 A= hoisting + 400 mm,
 B= open height - hoisting + 600 mm



T 400 hF
elevated rail system with low spring axis
+ steel support profile
 A= hoisting + 200 mm, B= open height -
 hoisting + 600 mm



T 500
vertical rail system
 A= open height + 550 mm, B= n/a



T 500 hF
vertical rail system with low spring axis
+ steel support profile
 A= open height + 400 mm, B= n/a